

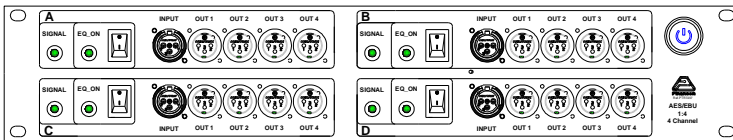
Tech Data

SPLITTERS DIGITAL AUDIO

AES/EBU

SDA AR XLR 1 - 4 x 4

AR BOX FORMAT



Description

- 1 XLR-F Balanced Input.
- 4 XLR-M Balanced Outputs.
- For 4 different channels
- **Isolated (by transformer)** Input and Outputs.
- For AES/EBU or AES3 digital audio distribution.
- Input **equalization** to compensate the cable length.
- LED monitoring.
- Intuitive and straightforward use.

Standards: AES-3-1985

Formats:

Sample rate: 44.1 KHz, 32 KHz, 48 KHz, 64 KHz, 88.2 KHz, 96 KHz

Tech Data

SPLITTERS DIGITAL AUDIO

AES/EBU

SDA AR XLR 1 - 4 x 4

AR BOX FORMAT

Description

The **SDA AR XLR 1 to 4 x 4** offers distribution of **1 input into 4 outputs of digital audio in AES/EBU or AES3 format and for 4 different channels.**

- Provides **signal equalization** so that allows compensating losses that may happen using long cable lengths. This equalization is activated or deactivated by an ON/OFF switch and its operation is indicated by LED indicator "EQ_ON".
- **Isolated (by transformers)** input and outputs which provides a **high CMRR** (Common Mode Rejection Ratio).
- The device operation doesn't manipulate the audio data frame.
- The outputs are copies of the input signal
- The input signal presence can see by LED named 'SIGNAL'

Applications

AES/EBU signal distribution:

- **LIVE SOUND:** distribution of digital audio signal coming from **digital processors** to the signal amplification and sending to speakers.
- **STUDIO:** distribution of signal coming **from digital audio console** output to sending to different **digital signal recorders.**

Tech Data

SPLITTERS DIGITAL AUDIO

AES/EBU

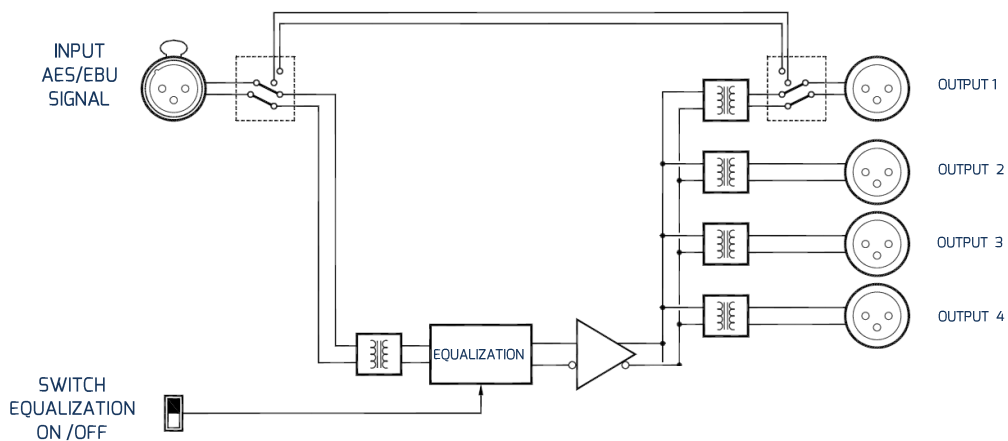
SDA AR XLR 1 - 4 x 4

AR BOX FORMAT

Tech Specifications

Output Impedance	110 Ω \pm 20 % Balanced					
Input Impedance	110 Ω \pm 20 % Balanced					
Sample rates	32 KHz	44.1 KHz	48 KHz	64 KHz	88.2 KHz	96 KHz
Signal Level (according to AES-3 standard)	2-7 V _{pp} (up to 10 V _{pp})					
Codification and Electrical Characteristics	According to EBU Tech 3250-E/AES3 standard					
General	AC Voltage 110-220 V			Temperature 0-50 °		

Operation Diagram



X4

Tech Data

SPLITTERS DIGITAL AUDIO

AES/EBU

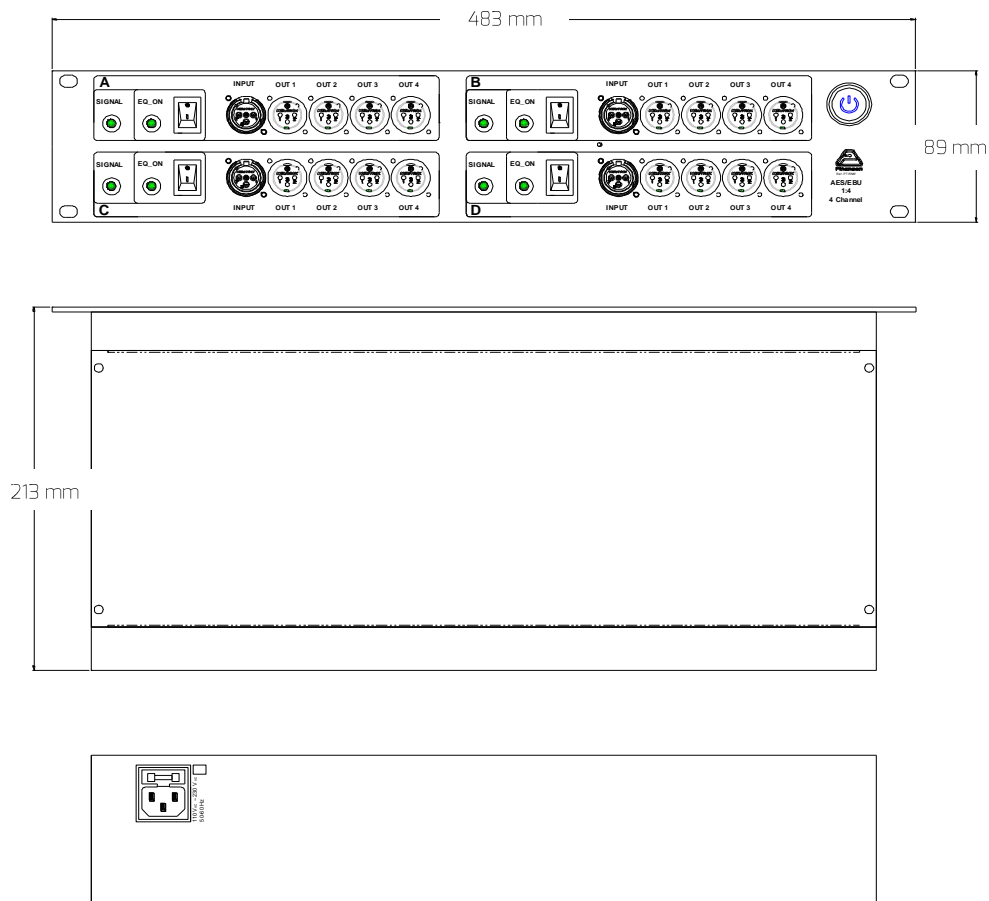
SDA AR XLR 1 - 4 x 4

AR BOX FORMAT

Physical Characteristics

AR Box Format (rack 19" mount)

- Extruded aluminium box
- Finish: painted with electrostatic powder coating and direct print



Tech Data

SPLITTERS DIGITAL AUDIO

AES/EBU

SDA AR XLR 1 - 4 x 4

AR BOX FORMAT

Description

Audio measurements are done with *Audio Precision APx515 analyser*



Web: www.pinanson.com
@: pinanson@pinanson.com

PINANSON S.L
Avda. Constitucion, 40. Mondejar (Guadalajara). SPAIN.
Telephone: +34 949 385 444 · Fax: +34 949 385 643

Review: December 2018

For possible changes due to continuous product improvements; Pinanson S.L. reserves the right to change the showed data in this document without notice. The data presented here correspond to the time it was compiled.