

Tech Data

DANTE ADAPTOR

Dante to Analogue

Wall Plate format
2CH



Description

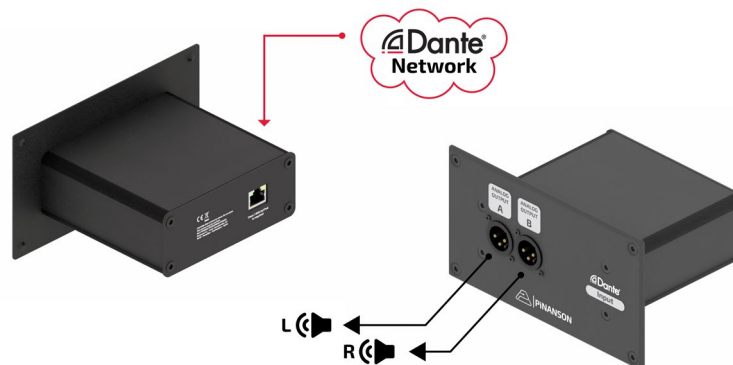
This **Dante Adaptor** offers to the user:

- **1 RJ-45 Dante** signal **input**.
- **2 Balanced XLR-M outputs** for line level audio.
- Conversion of Dante digital signal to analogue signal
- Intuitive, easy to use.
- A Switch with PoE type Class 1 802.3af PoE is required.
- Wall plate format to be installed in a wall

Description

- This **Dante Box adapter** is designed for operation in a Dante digital audio network.
- **Converts 2 Dante** signals (1 CAT.5E/6 cable) into **2 channels of balanced analog audio** at line level.
- Through a simple connection through this Dante Adapter, it is possible to convert two audio signals from analog equipment (music player, signal processor, microphone amplifier...) and introduce them into a Dante network.
- The Dante controller software will allow you to establish the route to send these signals converted to a Dante signal to any receiving device that is on said network.

Applications



Tech Data

DANTE ADAPTOR

Dante to Analogue

Wall Plate format
2CH

Tech Specifications

Dante Input

Number	2
Sample Rate	44.1 KHz, 48 KHz (por defecto) y 96 KHz
Bit Depth	24 bits
Network speed	100 Mbps
Power	PoE (Power over Ethernet) Compatible con Clase 1 802.3af POE PD
Network Transport	Dante Audio over IP, AES67 RTP

Analog Audio Outputs

Number	2	
Max signal level (balanced) (0 dBFS)	+ 24dBu/+ 4 dBu/ 0 dBu/ 0 dBV/ -10 dBV	
Output Impedance	Balanced	150 Ω
	Unbalanced	75 Ω
Frequency Response (20 Hz a 20 KHz)	\pm 0.5 dB	
Dynamic Range	>100 dB	
Signal to Noise Ratio	>100 dB	
THD (+4 dBu)	<0.01 %	

Tech Data

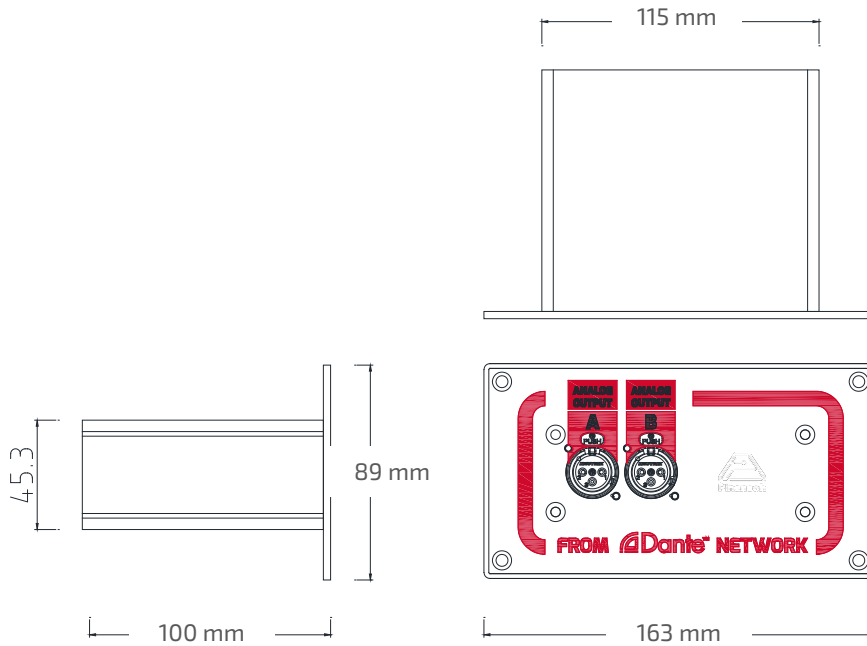
DANTE ADAPTOR

Dante to Analogue

Wall Plate format
2CH

Physical Characteristics

Material	<ul style="list-style-type: none"> Extruded aluminium plate and box to be screwed. Serigraphy by direct printing
Approx. Weight	0.3 Kg
Working Temperature	0-45°C
Dimensions	163 x 89 x 100 mm



Tech Data

DANTE ADAPTOR

Dante to Analogue

Wall Plate format
2CH



Web: www.pinanson.eu
@: pinanson@pinanson.eu

PINANSON S.L
Avda. Constitución, 40. Mondéjar (Guadalajara). ESPAÑA
Teléfono: +34 949 385 444 · Fax: +34 949 385 643

Review: October 2023

For possible changes due to continuous product improvements; Pinanson S.L. reserves the right to change the showed data in this document without notice. The data presented here correspond to the time it was compiled.

