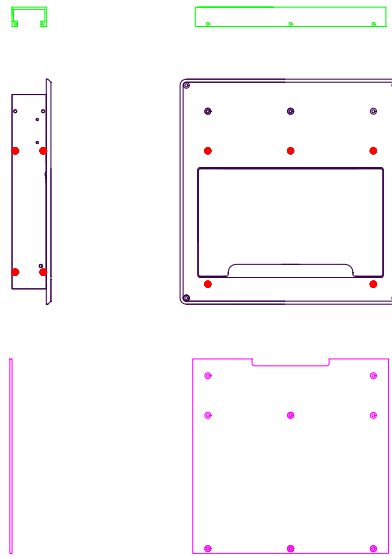
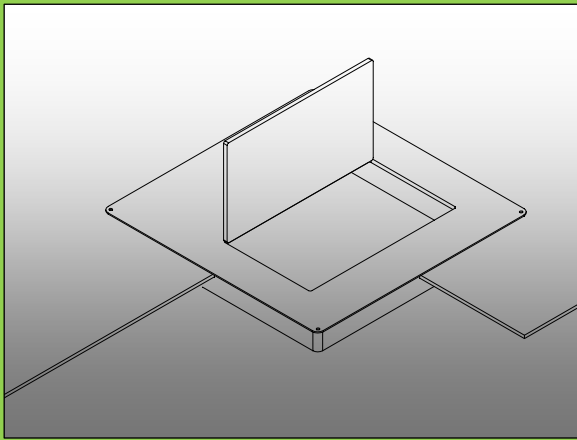


## AV Box for Floor: Cuboid INS



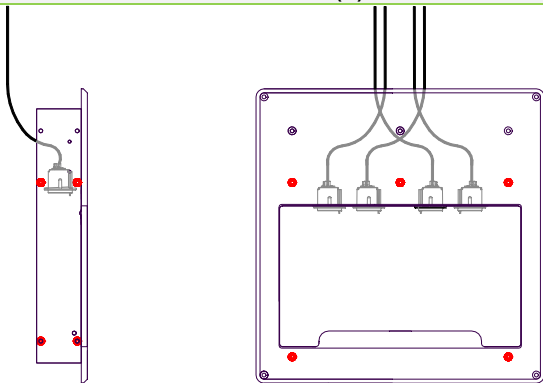
**A: Rear panel**

**B: Frame with connection panels**

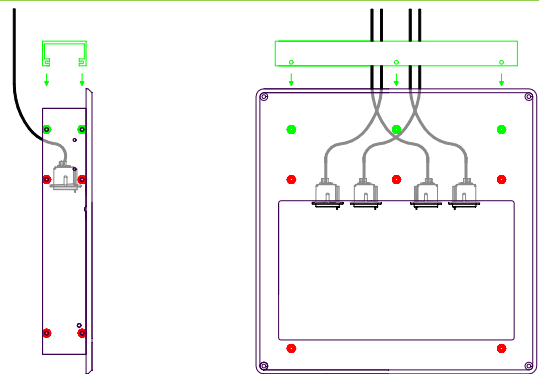
**C: Union screws (box/frame)**

**D: Base lid**

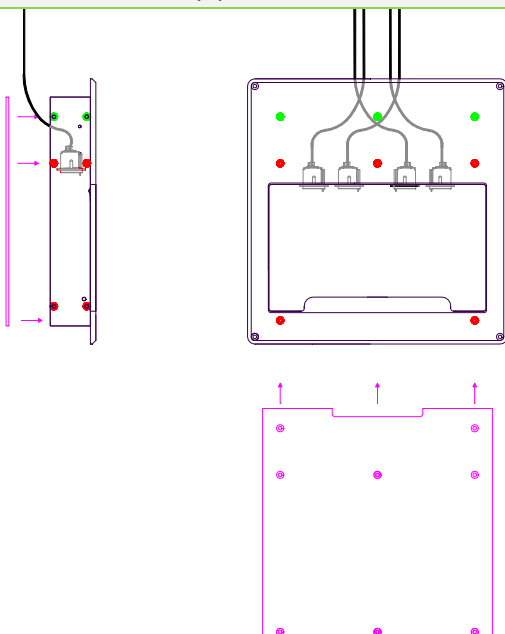
**1<sup>o</sup>** Do the connections **directly on the panel without unscrewing** the frame (B).  
**NEVER unscrew** the union screws (C).



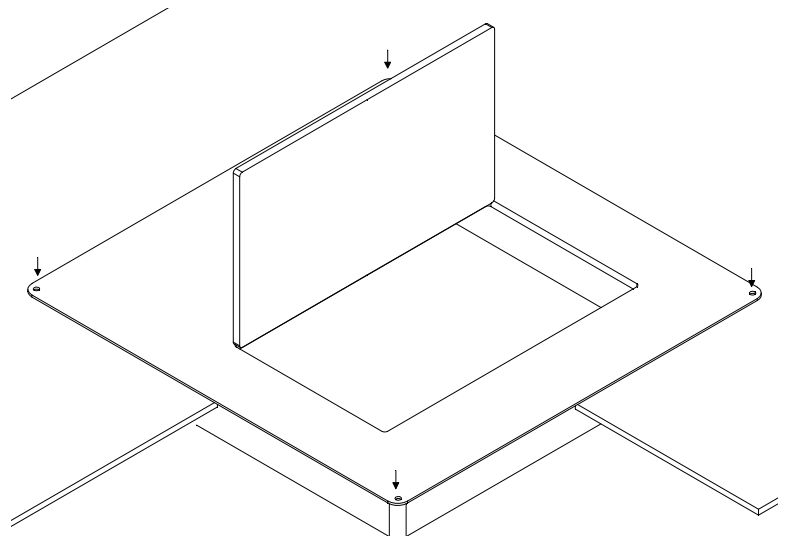
**2<sup>o</sup>** Screw the **rear panel (A)**.



**3<sup>o</sup>** Screw the **Base lid (D)**.



**4<sup>o</sup>** Screw the Cuboid Ins box **on the floor**.



**5<sup>o</sup>** Place the box on a floor with carpet or wooden flooring. Note that the frame/door thickness is 6 mm.

