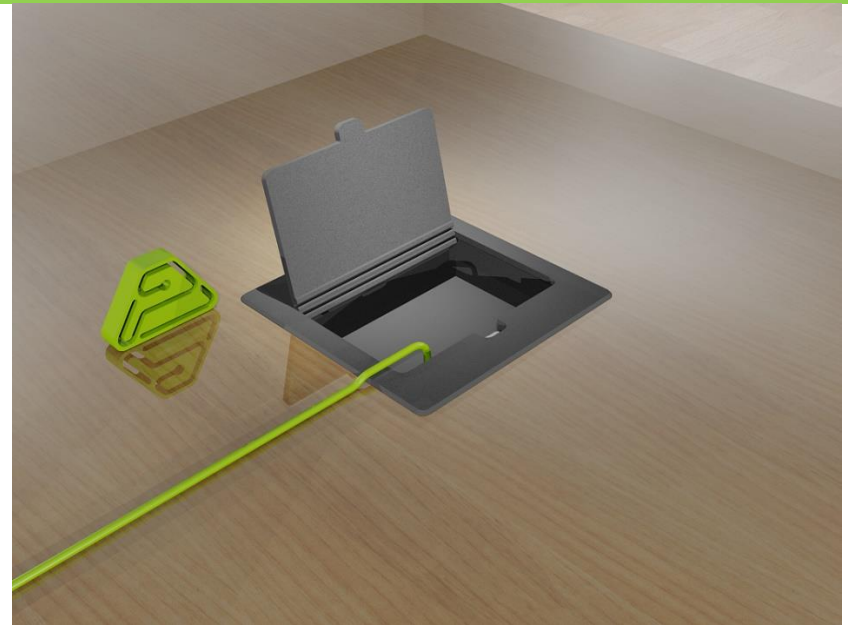
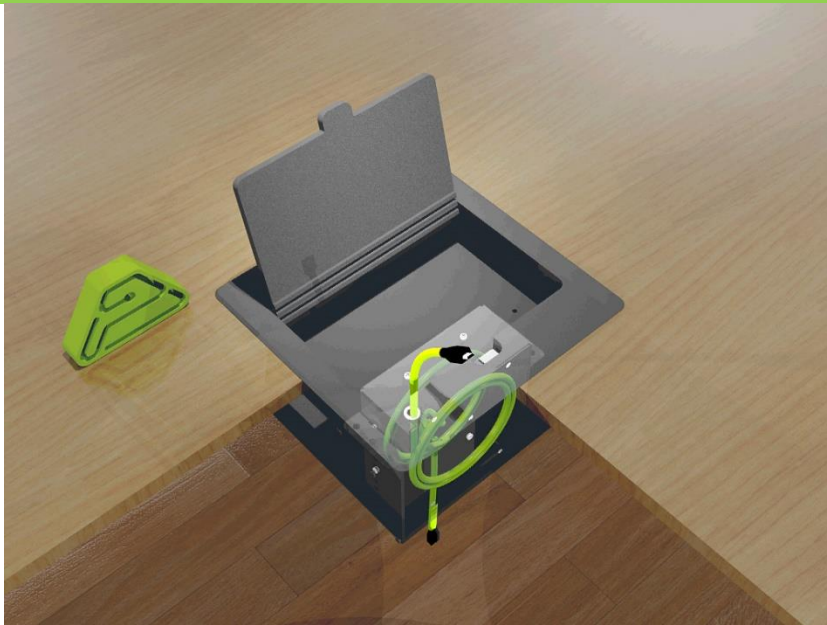


AV BOXES

TABLE

TB CR



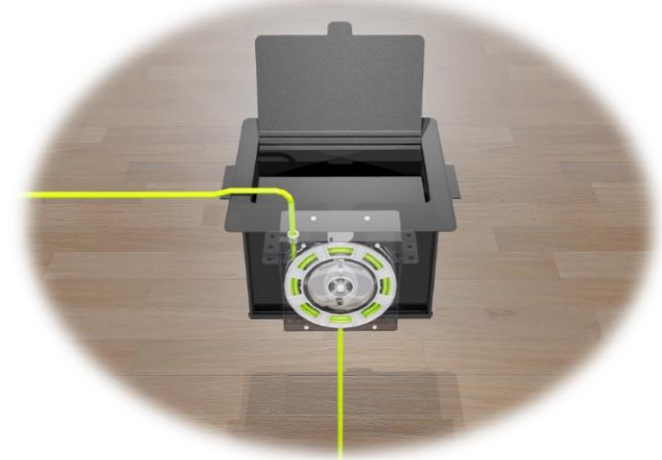
- Table box that includes a retraction mechanism for the cable of your choice
- Door with push opening.
- Adjustable at any thickness.
- They are boxes to be recessed on table with no screws, for fit in a hollow for situations where fixing with screws is impossible.
- Full customization of the box in terms of connectors, texts, logos and colour, allowing full integration with the aesthetics of the room.
- Designed and manufactured by Pinanson S.L. in Spain

Applications

- Room where is required to have access to video, audio, data and power connections in a box recessed in the table
- When it is required to have a permanent cable in the box and when it is not used, it is hidden under the cover.
- Facilities in which keeping the boxes integrated with the decoration of the room as well as high durability are important factors.

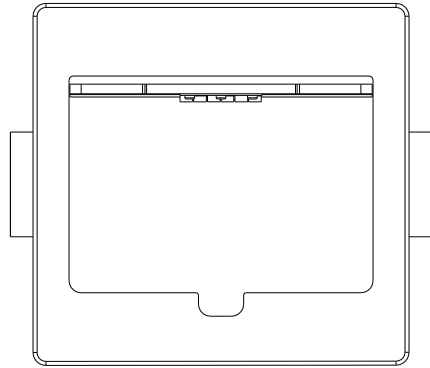
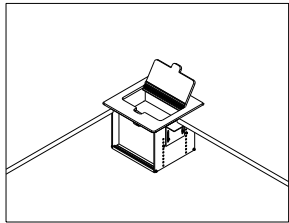
Special Characteristics

- **Box with door** for connector protection
- **Cable retraction system** with a maximum diameter of **6 mm**
- Door with **push opening** to be opened by hand pression
- **Adjustable** box at any **thickness**
- **Height adjustable** connection **panel**
- **Handy** connection thanks to the breadth in panels
- The **fixed wiring** is made by means of an **access window in the bottom of the box.**
- **Custom manufacturing:** connectors, color, according to the room aesthetics, texts, logos



Cable retractor

Modelos



TB CR 3U 233

Dimensions

233 x 225 x 134 mm

Gap

215 x 205 mm

Physical Characteristics

BOX	MATERIAL						GROSOR		
	Extruded aluminium	Aluminium plate	6063 Alloy	Treatment T5	Stainless steel	Nickel-plated brass	1 mm	3 mm	6 mm
Panel Frame									
Frontal and rear panel									
Door and Flap									
Union laterals									
Door axis									
Adjustment pieces									
Axis support									
General finish	PAINT		COLOR			TEXTS			
	Powder electrostatic covering		Under request			Direct printing of logos, texts according client preferences			



CABLE RETRACTOR	MATERIAL	MAX. CABLE DIAMETER	LIFE CYCLES	APROX.WEIGHT
	STEEL PLATE POLYAMIDE	6 mm	10000	1,3 Kg

Mechanical Characteristics

Approx. weight (TB + cable retractor)	TB 2U 183	TB 2U 233	TB 3U 233
	2.8 kg	3.1 kg	3.5 kg



Web: www.pinanson.eu
@: pinanson@pinanson.eu

PINANSON S.L
Avda. Constitución, 40. Mondéjar (Guadalajara). ESPAÑA.
Teléfono: +34 949 385 444 · Fax: +34 949 385 643

Revisión: June 2020

For possible changes due to continuous product improvements; Pinanson S.L. reserves the right to change the showed data in this document without notice. The data presented here correspond to the time it was compiled.