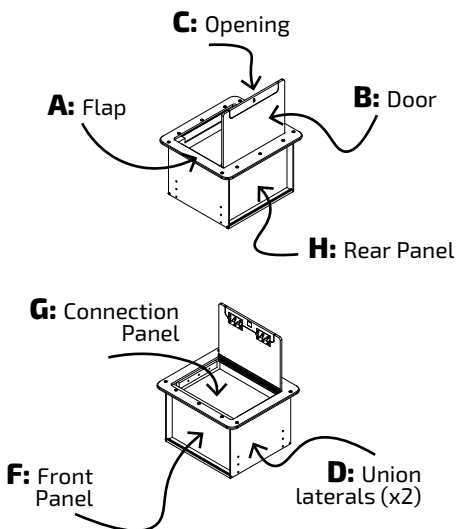




# TB AT Installation Manual

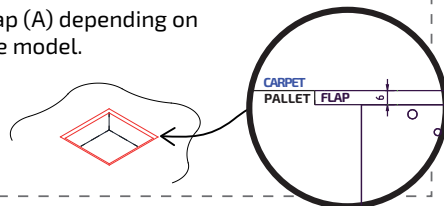
Description of the parts



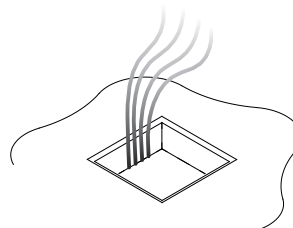
**1.** Make a cut on the floor following the recommended dimensions depending on the model.



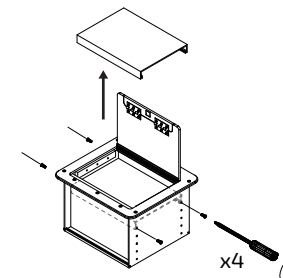
**!** For the TB AT box to align with the floor, make a 6mm recess around the hole made to the outside dimension of the Flap (A) depending on the model.



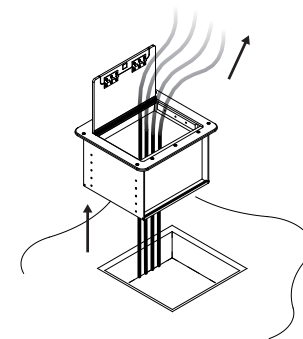
**2.** Pull all the cables through the opening made to work comfortably.



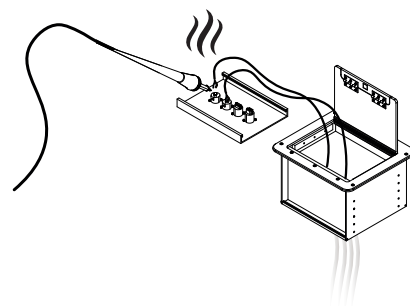
**3.** Unscrew the Connection Panel (G).



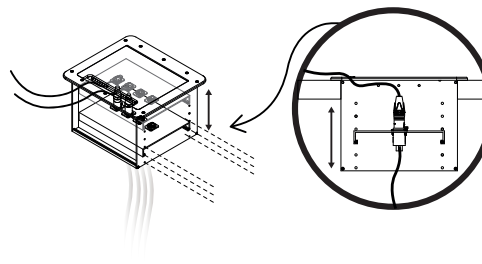
**4.** Get the cables through the box.



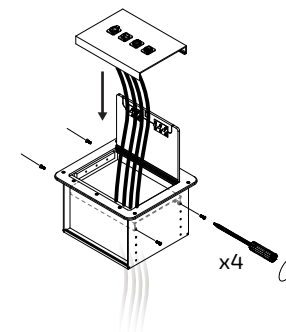
**5.** Make the connections directly in the Connection Panel (G).



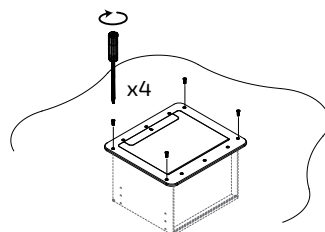
**6.** Determine the best position of the Connection Panel (G) to be able to close the Door (B) with the connectors in place afterwards.



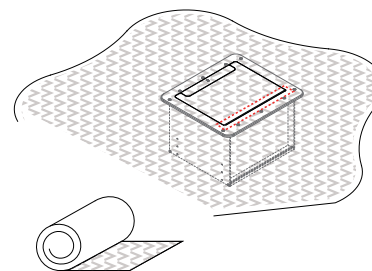
**7.** Screw the Connection Panel (G) in the determined position.



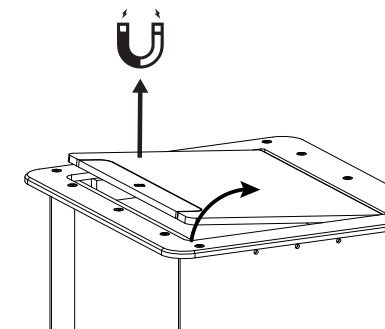
**8.** Screw the TB AT box to the ground.



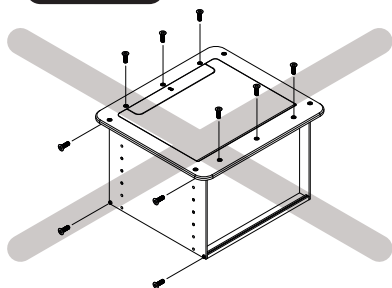
**9.** If it is needed to stick carpet, leave a relief space in the Door (B) at the hinge area = Carpet thickness + 1mm



**10.** You can open the Door (B) of your TB AT box with a piece of iron.

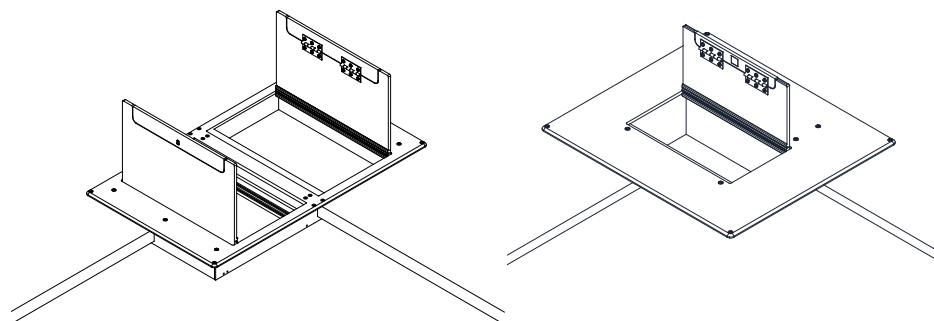


**Never unscrew screws other than those indicated in this manual.**



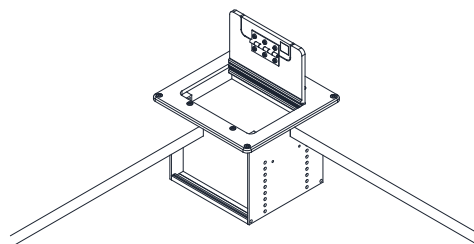


# TB AT



If your model is customized,  
you will find the dimensions  
in the graphic view sent

## TB AT 2U 183



**DIMENSIONS**  
*(width x height x depth)*

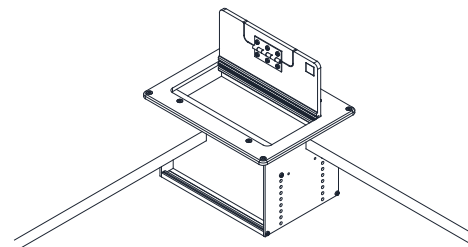
183 x 180 x 134mm



*(width x height)*

155 x 145mm

## TB AT 2U 233



**DIMENSIONS**  
*(width x height x depth)*

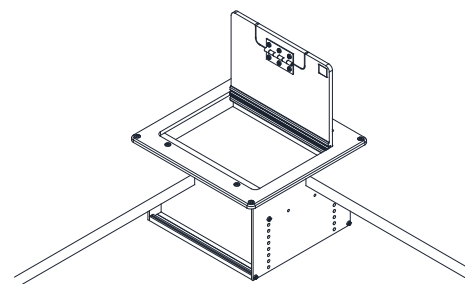
233 x 180 x 134mm



*(width x height)*

205 x 145mm

## TB AT 3U 233



**DIMENSIONS**  
*(width x height x depth)*

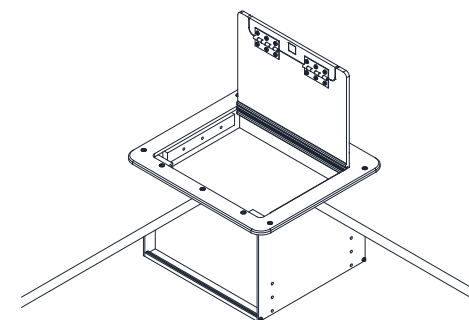
233 x 225 x 134mm



*(width x height)*

205 x 190mm

## TB AT 4U 300



**DIMENSIONS**  
*(width x height x depth)*

300 x 270 x 178mm



*(width x height)*

250 x 230mm